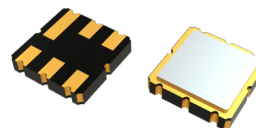


## 3.8×3.8 mm SMD SAW Filter

### Feature

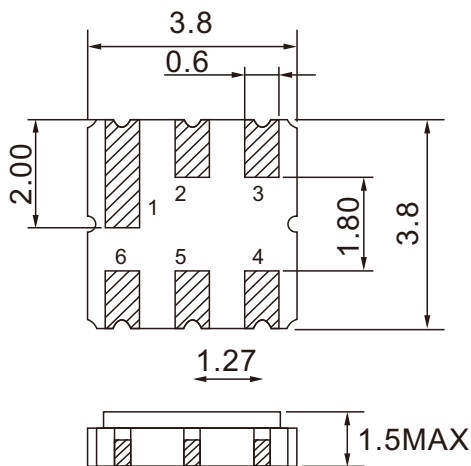
- Small size 3.8x3.8x1.5mm
- Welding can be done with automatic mounting
- Low-loss SAW component
- Low amplitude ripple
- Sharp rejections at both out-bands
- RoHS Compliant



### Electrical Specifications

Item		Specifications	Unit
Frequency Range	$f_c$	100~1000MHz	MHz
Standard Frequency	$f_c$	315,433.92,480,500,866.5	MHz
Band Width		2, 3,5,10,20,40, or specify	MHz
Insertion Loss ( min)		1.5,1.8,2.0,3.0, 6.5 or specify	dB
Operating Temperature Range	IL	-40~+85	°C
Storage Temperature Range		-55~+125	°C

### Dimension(mm)



Pin No.	Description
2	Input/Output
5	Output/Input
1,3,4,6	Case Ground